



I-87017DW

8-channel Differential/16-channel Single-Ended Analog Input Module with High Voltage Protection

Introduction

The I-87017DW is a 8-channel differential/16-channel single-ended analog input module. The analog input range is software selectable and supports +/- 10 V, +/-5 V, +/-1 V, +/-500 mV, +/-150 mV, 0 ~ +20 mA, +4 ~ +20 mA, and +/-20 mA. And all channels support 240 V_{rms} overvoltage protection in differential mode. Differential mode and single-ended mode is selected via jumper selectable jumpers.

System Specifications

Communication	
Interface	RS-485
Format	N, 8, 1
Baud Rate	1200 ~ 115200 bps
Protocol	DCON
Dual Watchdog	Yes, Module (1.6 Seconds), Communication (Programmable)
LED Indicator/Display	
System LED Indicator	1 LED as Power/Communication Indicator
I/O LED Indicator	16 LEDs as High/Low Alarm Signals
Isolation	
Intra-Module Isolation, Field-to-Logic	3000 V _{dc}
EMS Protection	
ESD (IEC 61000-4-2)	4 kV Contact for Each Terminal
	8 kV Air for Random Point
Power	
Power Consumption	1.3 W Max.
Mechanical	
Dimensions (W x L x H)	30 mm x 102 mm x 115 mm
Environment	
Operating Temperature	-25 ~ +75°C
Storage Temperature	-40 ~ +85°C
Humidity	10 ~ 95% RH, Non-condensing

Features

- 8-channel Differential/16-channel Single-ended Analog Input
- D-Sub 37-Pin Connector
- 4 kV ESD Protection
- Dual Watchdog
- 3000 V_{dc} Intra-Module Isolation, Field-to-Logic
- RoHS Compliant
- Wide Operating Temperature Range: -25 ~ +75°C



Applications

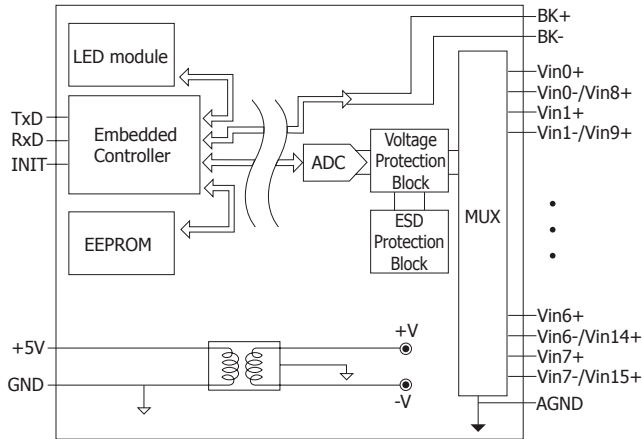
- Building Automation
- Factory Automation
- Machine Automation
- Remote Maintenance
- Remote diagnosis
- Testing Equipment

I/O Specifications

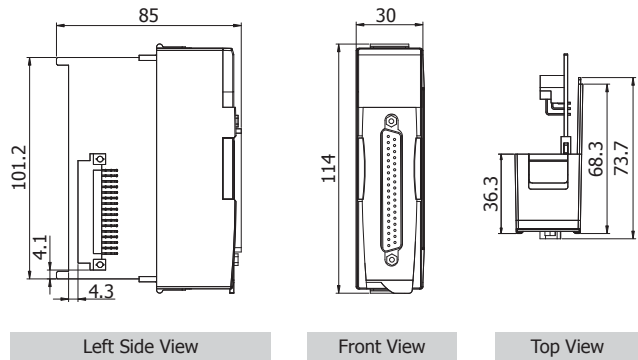
Analog Input		
Channels	8 Differential or 16 Single-ended, (See Note 1), Jumper Selectable	
Range	+/-10 V _{dc} , +/-5 V _{dc} , +/-1 V _{dc} , +/-500 mV, +/-150 mV, 0 ~ +20 mA, +4 ~ +20 mA, -20 mA ~ +20 mA (Requires Optional External 125 Ω Resistor)	
Resolution	Normal Mode	16-bit
	Fast Mode	12-bit
Accuracy	Normal Mode	+/- 0.1% of FSR
	Fast Mode	+/- 0.5% of FSR
Sampling Rate	Normal Mode	16-bit, 10 Hz (Total)
	Fast Mode	12-bit, 50 Hz (Total)
-3dB Bandwidth	15.7 Hz	
Zero Drift	+/- 20 μV/°C	
Span Drift	+/- 25 ppm/°C	
Common Mode Rejection	86 dB	
Normal Mode Rejection	100 dB	
Input Impedance	Differential	2 MΩ
	Single-ended	1 MΩ
Individual Channel Configurable	Yes	
Open Daughter Board Detection	Yes	
Overvoltage Protection	Differential	240 V _{rms}
	Single-ended	150 V _{rms}

Note 1: Differential mode can be used for voltage input and current input. Single-Ended mode can be used for voltage input only.

Internal I/O Structure



Dimensions (Units: mm)



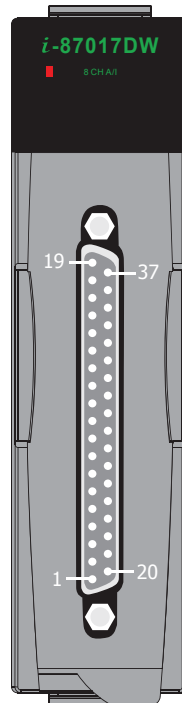
Wire Connections

Input Type	Differential	Single-ended
JP4 Jumper		
Voltage Input Wiring		
Current Input Wiring		

Note: When connecting to a current source, an optional external 125Ω resistor is required.

Daughter Board Detection	
Connect	Open

Pin Assignments



Pin Assignment	Terminal	No.	Pin Assignment
AGND	19		
AGND	18	37	BK+
V7 -/V15+	17	36	N/A
V7+	16	35	N/A
V6 -/V14+	15	34	N/A
V6+	14	33	N/A
V5 -/V13+	13	32	N/A
V5+	12	31	N/A
V4 -/V12+	11	30	N/A
V4+	10	29	N/A
V3 -/V11+	09	28	N/A
V3+	08	27	N/A
V2 -/V10+	07	26	N/A
V2+	06	25	N/A
V1 -/V9+	05	24	N/A
V1+	04	23	N/A
V0 -/V8+	03	22	N/A
V0+	02	21	N/A
BK -	01	20	N/A

Ordering Information

I-87017DW-G CR	8-channel Analog Input Module (Gray Cover) (RoHS)
-----------------------	---

Accessories

DN-37-A	I/O Connector Block with DIN-Rail Mounting and 37-pin D-sub Connector (pitch:5.08 mm)	CA-3715A	Male-Female D-sub Cable 1.5 M
DN-37-381-A	I/O Connector Block with DIN-Rail Mounting and 37-pin D-sub Connector (pitch:3.81 mm)	125Ω, 0.1% DIP Resistors	use for current type of I-87017/I-87018 series
CA-3705A	Male-Female D-sub Cable 0.5 M	SG-770 CR	7 channel differential or 14 channel single-ended surge protector (RoHS)
CA-3710A	Male-Female D-sub Cable 1 M	SG-3000 series	Signal Conditioning Modules for Thermocouple, RTD, DC Voltage, DC Current and Power Inputs