

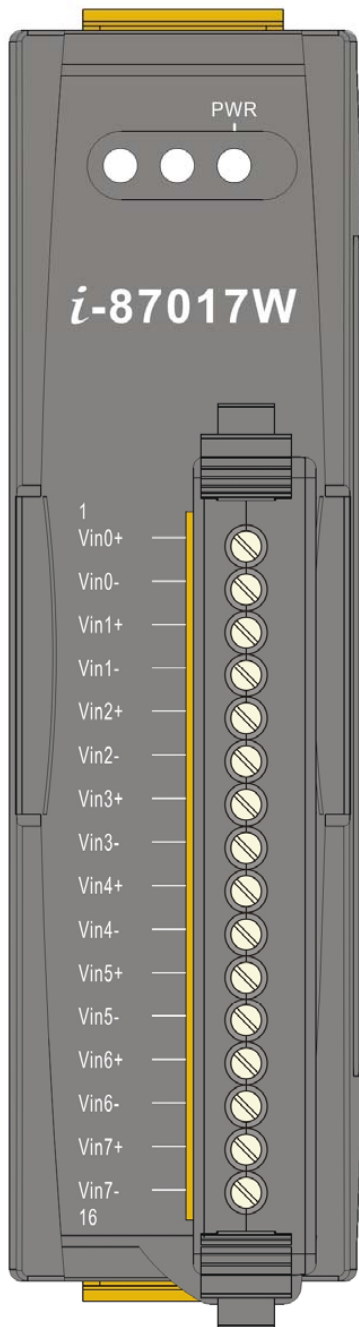
I-87017W Hardware User Guide *Ver. 1.1*

Last Modified 05/07/2007

I-87017W Specifications

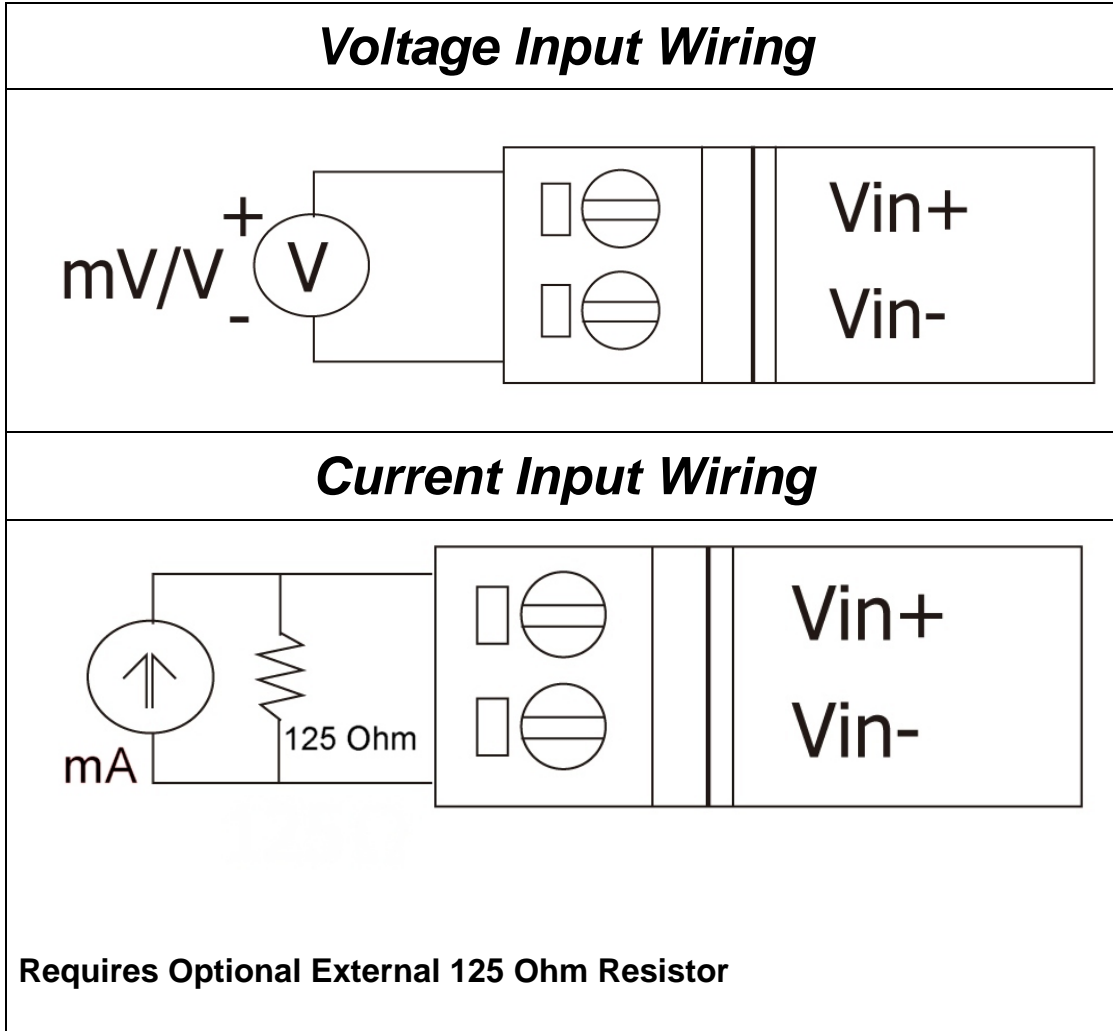
Analog Input Module	
Input Channels	<i>8 differential</i>
Resolution	<i>12/16-bits (Fast/Normal)</i>
Input Type	<i>±10V, ±5V, ±1V, ±500mV, ±150mV ±20mA (Require External 125 Ohm Resistor)</i>
Sampling Rate	<i>Normal mode: 10 samples/second total Fast mode: 60 samples/second total</i>
-3dB Bandwidth	<i>15.7Hz(Normal) / 78.7Hz(Fast)</i>
Accuracy	<i>Normal mode: +/- 0.1% or better Fast mode: +/- 0.5% or better</i>
Common Mode Rejection	<i>86dB</i>
Normal Mode Rejection	<i>100dB</i>
Input Impedance	<i>20M Ohms</i>
Over voltage Protection	<i>-35V to +35V</i>
4KV ESD Protection	<i>Yes(Contact)</i>
Isolation Voltage	<i>3000VDC</i>
Power Consumption	<i>1.3W max.</i>

I-87017W Pin Assignment



Terminal No.	Pin Assignment Name
01	Vin0+
02	Vin0-
03	Vin1+
04	Vin1-
05	Vin2+
06	Vin2-
07	Vin3+
08	Vin3-
09	Vin4+
10	Vin4-
11	Vin5+
12	Vin5-
13	Vin6+
14	Vin6-
15	Vin7+
16	Vin7-

I-87017W Wire Connection Type



I-87017W Internal I/O Structure

